



REDBIRD – DESIGN



CRITERIA

- Wrap-around visuals capable of VFR maneuvers
- Complete world database
- Interchangeable to allow for multiple aircraft.
- Realistic flight modeling
- Motion platform
- Dual occupant
- Easy to maintain
- Powered by “house” power. (120v 15A)
- Operate under an 8’ ceiling
- Installed by 2 people upstairs, through a 36” doorway



**JOIN THE
MIGRATION**

REDBIRD – CERTIFICATION



FMX
AATD



MCX
AATD



TD/TD2
BATD



FMX
AATD



MCX
AATD



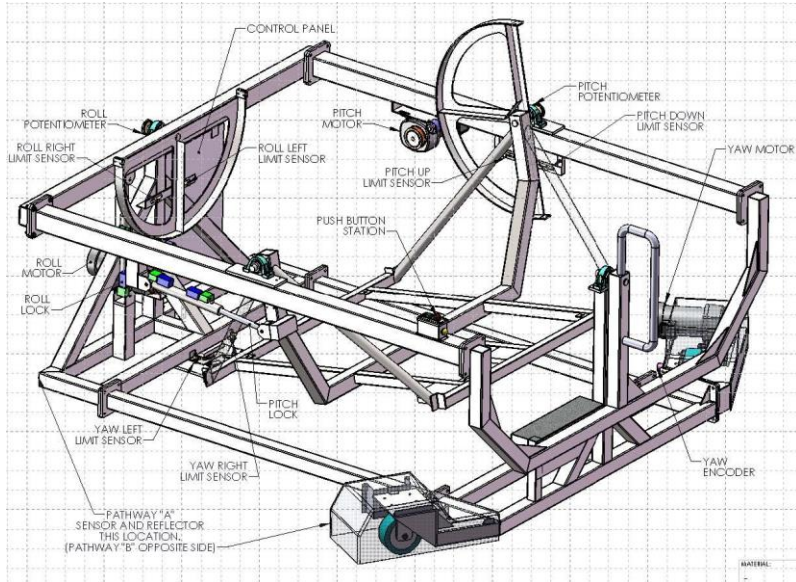
**JOIN THE
MIGRATION**

REDBIRD – MCX



**JOIN THE
MIGRATION**

REDBIRD – TECHNOLOGIES



Electric Motion Platform

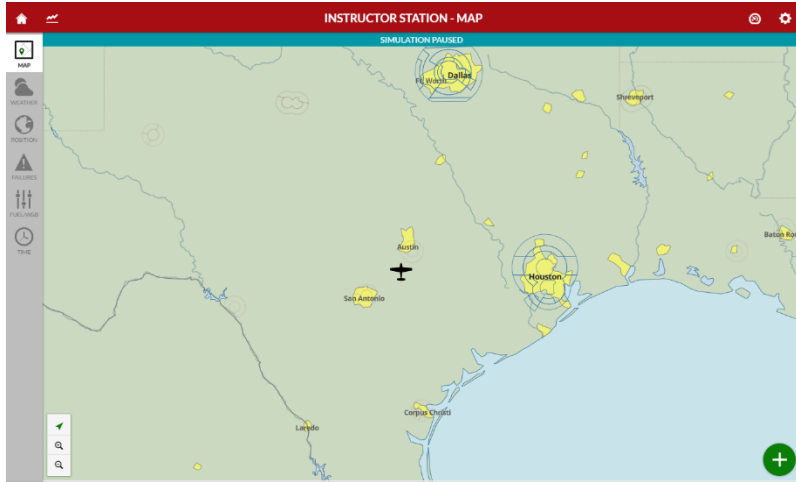


Interchangeable Aircraft Configurations



**JOIN THE
MIGRATION**

REDBIRD – TECHNOLOGIES



Web-Based Instructor Station



Wrap Around Visual System



**JOIN THE
MIGRATION**

